



PJ-1500 Projector Techmount

Hyperfast, **Hyper**flexible



VISION

installation:innovation

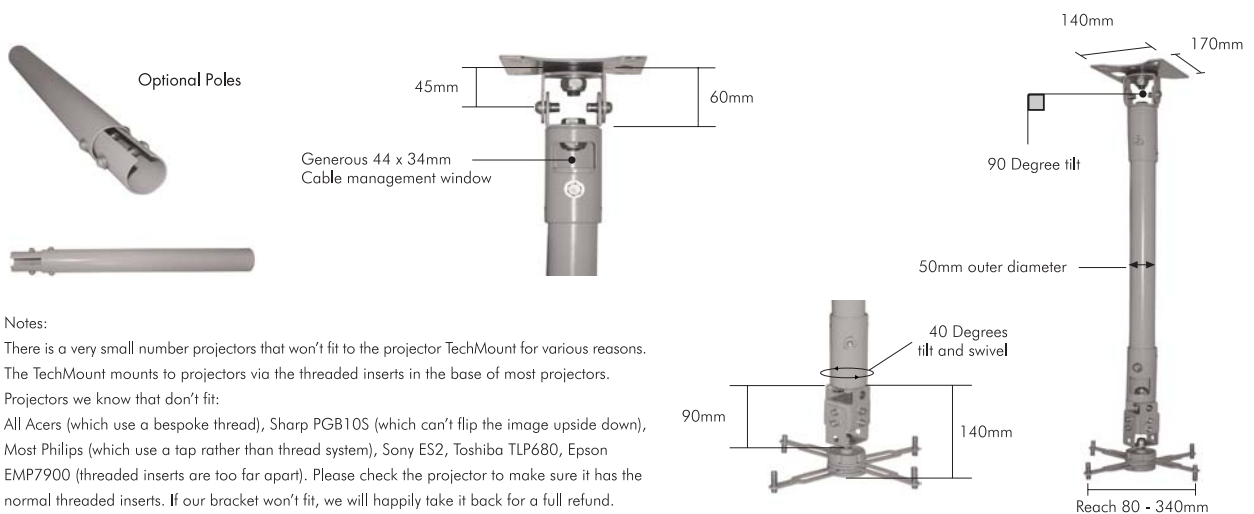
PJ-1500 Projector Techmount

Now you only need to carry one bracket on your van.

Brackets should always be anchored to rated load bearing points – which is often way above the visible false ceiling. So for over 50% of installations a 1 metre pole isn't long enough. So our standard pole is 1.5 metres, and you cut it to length onsite. We also included a tilting top yoke as standard, because not all ceilings are level. If you are retrofitting a new projector to an existing mount, the TechMount components fit industry-standard 51mm poles. Every little aspect of this product has been thought through carefully, right down to minimising the number of tools required to fit the bracket, and the result means you'll spend less time assembling the bracket (it already comes 90% assembled), which means a radical reduction in the cost of installation. No other mount is as versatile.

Features	Dimensions	420mm (W) x 310mm (D) x 100mm (H)	
	Weight		
	Extension poles	Optional extension poles are available if you need the pole to be up to 3.5 metres long. The extension poles (1 or 2 metres) come with integrated couplers.	
	Yoke	90° Tilting/turning top yoke no need to order a tilting part specifically if you need one	
	Projector tilt	Up to 40° tilt at projector	
	Working Load	20kg (brackets tested to half a tonne)	
	Colour	Powdercoated Light grey	
Included	1 x Bracket, 1 x Spanner, 4x M3 / 4x M4 / 4x M5 bolts to attach projector, 4x ceiling fixtures with plastic inserts.		
Details	Outer Carton Dimensions	160mm (W) x 110mm (D) x 1860mm (H)	
	Packaged weight	5.5kg	
	Recommended Pallet Quantity	100	
	Warranty	2 year return-to-base	
	Order code	MT PJ1500	
Optional Extension Poles	Length	1 metre	2 metre
	Order code	MT PJ1500 EXT1M	MT PJ1500 EXT2M

NB: Because we are committed to improving our products, this spec may change without warning.



Notes:

There is a very small number of projectors that won't fit to the projector TechMount for various reasons. The TechMount mounts to projectors via the threaded inserts in the base of most projectors. Projectors we know that don't fit: All Acers (which use a bespoke thread), Sharp PGB10S (which can't flip the image upside down), Most Philips (which use a tap rather than thread system), Sony ES2, Toshiba TLP680, Epson EMP7900 (threaded inserts are too far apart). Please check the projector to make sure it has the normal threaded inserts. If our bracket won't fit, we will happily take it back for a full refund.

VISION

installation:innovation

www.vision-displays.com